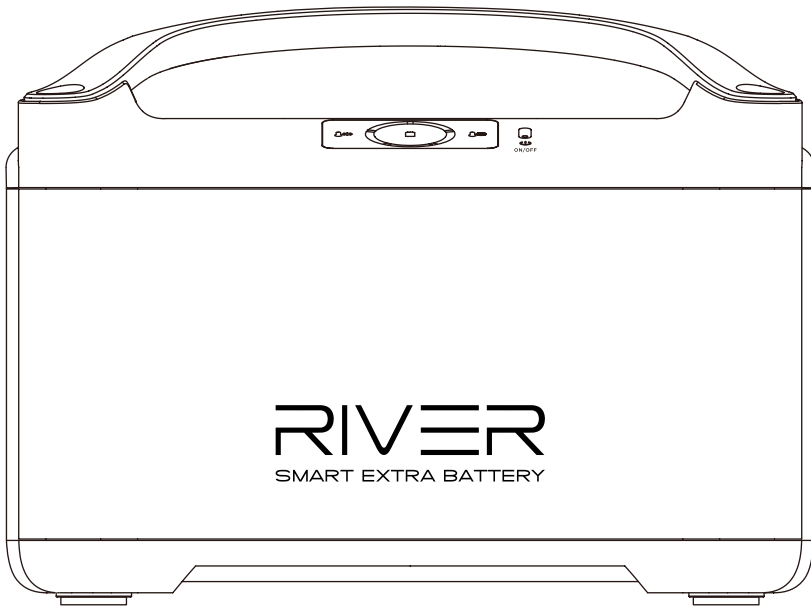


ECOFLOW

User Manual

RIVER 600 PRO Extra Battery

(for RIVER 600 PRO only)



Contact us:

support@ecoflow.com
www.ecoflow.com



1. Keep the product dry and do not expose it to high heat.
2. Do not disassemble, puncture or subject the product to strong external force.
3. Recycle and dispose of the product in accordance with local regulations.
4. Children and people who are intellectually disadvantaged should only use the product under supervision.

Glossary

The following terms are used in this document to indicate various levels of potential harm that may be caused by improper operation.

NOTICE

The instructions, if not properly followed, may result in property damage and minor physical damage.

CAUTION

The instructions, if not properly followed, may result in property damage and serious physical damage.

WARNING

The instructions, if not properly followed, may result in property damage, major accident and serious injury.

WARNING

Read the ENTIRE user manual to be familiar with the features of this product before operating. Failure to operate the product correctly may result in damage to the product or personal property and cause serious injury. EcoFlow will not assume any legal responsibility. DO NOT use the product with incompatible components or alter the product in any way without following the instructions provided by EcoFlow. Otherwise, you cannot get after-sales service from EcoFlow under warranty condition. These Safety Guidelines include instructions for safety, operation and maintenance. It is important to read and follow all the instructions and warnings in the user manual before assembly, setup or use the product.

Product Safety Guidelines

WARNING

Improper use may result in fire, property damage or personal injury. Make sure to use the product according to the following safety rules and guidelines.

Product Use:

1. DO NOT expose the product to any liquids. Do not immerse the product in water. DO NOT leave the batteries out in the rain or near a source of moisture. Moisture in the device could cause short circuits, component failure, fires or even an explosion.
2. Never use NON- EcoFlow parts. Go to <http://www.EcoFlow.com> to purchase new parts. EcoFlow takes no responsibility for any damage caused by the use of non-EcoFlow parts.
3. Never install or remove other modules from the RIVER 600 when it is turned on. Do Not plug or unplug other modules when the power of the product is turned on, otherwise the power interface may be damaged.
4. The product should be used in temperatures between -4°F and 140°F (-20°C and 60°C). The use of product in environments above 140 °F (60°C) may cause fire or explosion. Using product below -4°F (-20°C) will severely affect the performance of the product. Allow the product to return to a normal operating temperature before use it.
5. DO NOT use the batteries in strong electrostatic or electromagnetic environments. Otherwise, it may not work properly and the battery control board may malfunction and cause a serious accident during use.
6. Never disassemble or pierce the product in any way. Otherwise, it may leak, catch on fire, or explode.
7. DO NOT use the product if it was involved in a crash or a heavy bump.
8. If the product falls into the water during use, take the product out immediately and put it in a safe and open area. Keep a safe distance from it until it is completely dry. Never use it again and dispose it properly as described in the Battery Disposal section below. If the product catches fire, it is recommended to use fire extinguishing equipment in the following order: water or water mist, sand, fire blanket, dry powder, carbon dioxide fire extinguisher.
9. DO NOT put the machine in a microwave oven or in a pressurized container.

10. Do Not allow pins, wires or other metal pieces to insert to the device case, outlets or controls. Metal pieces may short circuit the product.

11. Avoid collision. DO NOT place heavy objects on the machine.

12. If there is dirt on any plug or outlet surface, use a dry cloth to clean it. Otherwise, it will cause abrasion and result in energy loss or inability to charge.

Product Charging:

1. Always use EcoFlow approved charging cables. EcoFlow does not response to any damage caused by using non-EcoFlow charging cable.

2. When charging, please place the product on the ground with no flammable or combustible materials around. To prevent accidents, never leave the machine unattended during charging.

3. DO NOT charge a product immediately after a long heavy load, because the product's temperature may be too high. DO NOT charge a product until it cools down to room temperature. The product may be unable to charge out of the temperature range 32°F to 104°F (0 to 40°C). The ideal charging temperature range is 71°F to 82°F (22°C to 28°C).

Product Storage and Transportation:

1. Keep the product out of the reach of children. If any children accidentally swallow parts, please go to a doctor immediately.

2. If a low-battery warning appears, charge the battery before store it. Otherwise, long-term storage may cause damage to the battery in the product. Batteries in the product will enter hibernation mode if it is depleted and stored for a long time. Recharge the product can bring the battery out of hibernation.

3. DO NOT place the product near a heat source, such as a car in direct sunlight, a fire source, or a heating stove.

4. Store the product in dry environments. DO NOT place the product where it may contact with water.

5. Make sure no small metal objects can fall on or around the product while in storage.

6. Never transport a product with a battery power level higher than 30%.

Product Battery Disposal:

1. Dispose the product in specific recycling boxes only after a complete discharge. Batteries are hazardous chemicals. Please strictly follow your local regulations regarding the battery disposal and recycle.

2. Dispose of the product immediately if it cannot be powered on after over-discharging.

Product Maintenance:

1. Never store the product in environments below -4°F (-20°C) or above 140°F (60°C).

2. If the product is not used for a long time, the battery life may be reduced.

3. Fully charge and discharge the battery at least once every 3 months to keep the battery healthy.

Travel Notice:

It is forbidden to carry lithium batteries and equipment with a capacity greater than 160Wh on airplane due to the regulation; Do Not bring this product on flights.

RIVER 600 PRO Extra Battery Use, Care and Safety Guide

CONGRATULATIONS!

You now have an extra battery for the best quality lithium-ion generator in the world! This brief pamphlet is meant to help you. Please take some time to read it before using the product. Read it through to fully understand how to use the extra battery of the lithium-ion generator!

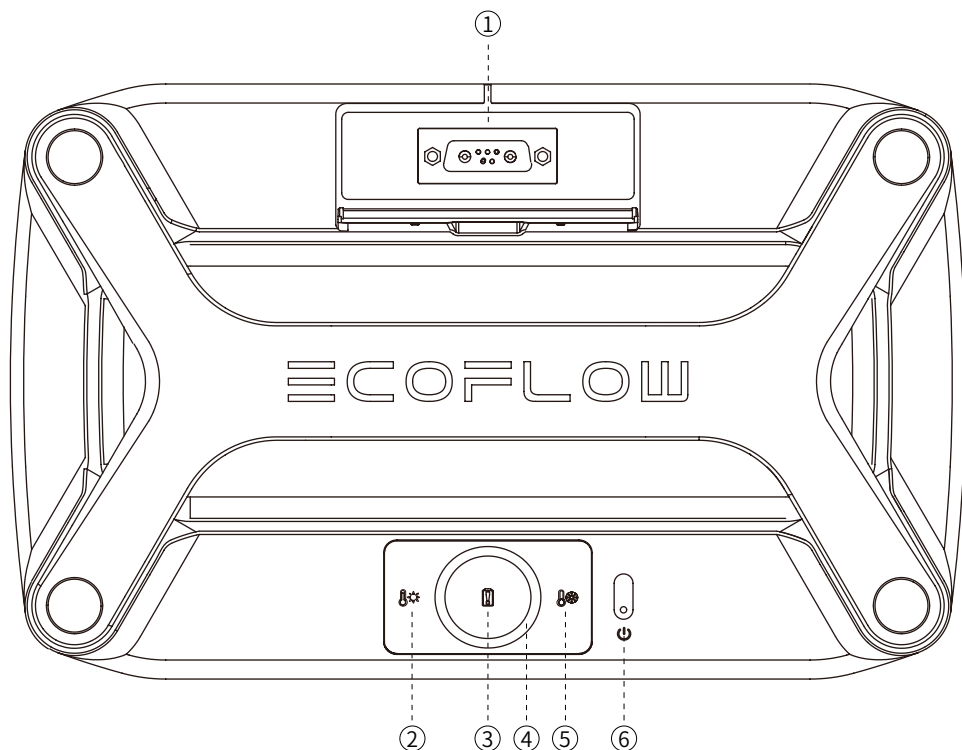
NOTICE

To turn RIVER 600 PRO Extra Battery on/off, you need to press and hold the Power Button. Before connecting it to RIVER 600 PRO, make sure that RIVER 600 PRO Extra Battery is turned off. Get to know your RIVER 600 PRO Extra Battery, follow this step-by-step introduction to each of RIVER 600 PRO Extra Battery's ports, buttons, display screens and more.

CONTENTS

RIVER 600 PRO Extra Battery's Features -----	1
RIVER 600 PRO Connect with RIVER 600 PRO Extra Battery -----	2
Technical Specifications -----	3
FAQs -----	4
What's in the Box -----	4

RIVER 600 PRO Extra Battery's Features



1. Expansion Power Port

2. High Temperature Warning Indicator

3. Battery Warning Indicator

4. Battery Level Indicator

5. Low Temperature Warning Indicator

6. Power Button

1. Expansion Power Port

This port is used to connect RIVER 600 PRO to a computer. An expansion power cable is required to charge, discharge and upgrade the port. It supports a maximum of 660W charging and 720W discharging of RIVER 600 PRO Extra Battery.

2. High Temperature Alarm Indicator

When the ambient temperature is too high (above 140°F/60°C), the red high temperature warning light will flash. Please move the device to a location with a suitable temperature (-4°F to 140°F/-20°C to 60°C) for the device to function normally. When the ambient temperature is above 113°F(45°C) while the device is being charged, the red high temperature warning light will flash as well. Please move the device to a location with a suitable temperature (32°F to 113°F/0°C to 45°C) for the device to charge normally.

3. Battery Warning Indicator

When the battery malfunctions, Try resolving the issue by restarting the device. Alternatively, please contact customer service.

4. Battery Level Indicator

The battery life is indicated by five lights. When the device is being charge, the lights will flash in sequence. When the battery is malfunctioning, all five lights will flash together at the same time.

5. Low Temperature Warning Indicator

When the ambient temperature is too low (below $-4^{\circ}\text{F}/-20^{\circ}\text{C}$), the blue low temperature warning light will flash. Please move the device to a location with a suitable temperature (-4°F to $140^{\circ}\text{F}/-20^{\circ}\text{C}$ to 60°C) for the device to function normally. When the ambient temperature is below 0°C while the device is being charged, the blue low temperature warning light will flash as well. Please move the device to a location with a suitable temperature (32°F to $113^{\circ}\text{F}/0^{\circ}\text{C}$ to 45°C) for the device to charge normally.

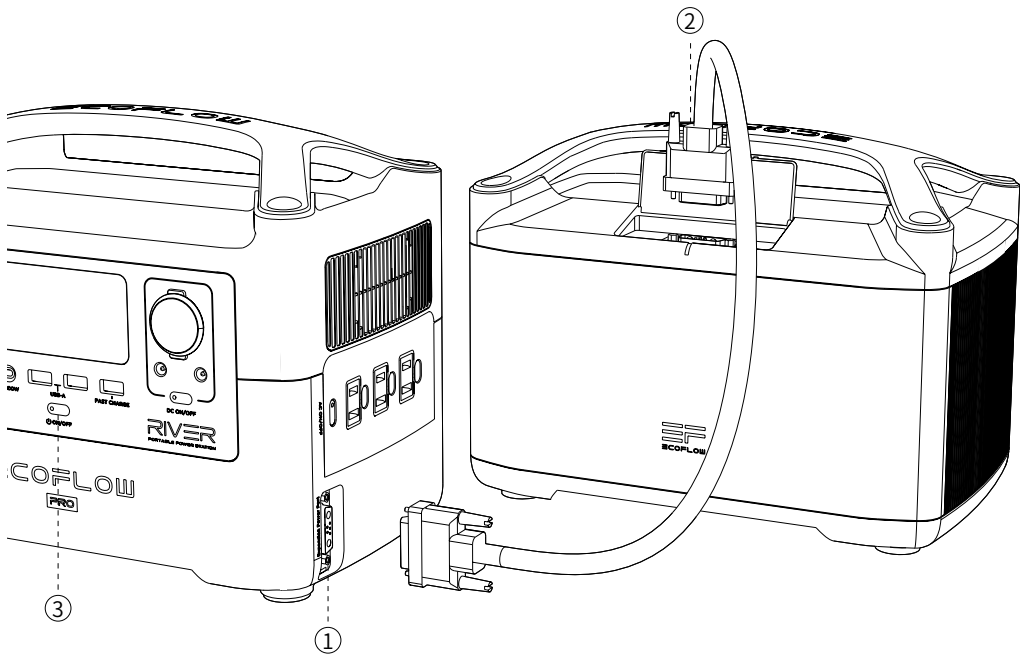
6. Power Button & LCD Display Screen ON/OFF Power Indicator

Press and hold the power button to turn the RIVER 600 PRO Extra Battery on and off. When the RIVER 600 PRO Extra Battery is turned on, the display will light up. To turn on or off the display screen and keep the RIVER 600 PRO Extra Battery running, short press the power button. When none of the ports are in use, the USB Output Indicator Light will start to blink. This shows that the RIVER 600 PRO Extra Battery is in idle mode. After being in idle mode for 5 minutes, the RIVER 600 PRO Extra Battery's display will go to sleep. At this time, the robot will continue to draw power from its battery. After being in idle mode for 30 minutes, the RIVER 600 PRO Extra Battery will automatically turn off itself.

RIVER 600 PRO Connect with RIVER 600 PRO Extra Battery

Get the RIVER 600 PRO , RIVER 600 PRO Extra Battery and expansion power cable ready. Then turn off the power of RIVER 600 PRO and RIVER 600 PRO Extra Battery. Follow the steps below. If the devices are not turned off, they cannot be successfully connected.

1. Open the soft cover below the AC port of RIVER 600 PRO to expose the expansion power port. Connect the expansion power cable to the port. Tighten the screws on both sides of the port to secure the connection.
2. Open the dust cover of RIVER 600 PRO Extra Battery to expose the expansion power port. Connect the other end of the expansion power cable to the port. Tighten the screws on both sides of the port to secure the connection.
3. Turn on the power button of RIVER 600 PRO or RIVER 600 PRO Extra Battery. If the display of RIVER 600 PRO shows the expansion battery pack icon, the connection is successful. When connecting the devices for the first time, it is recommended to fully charge them first. Fully charge RIVER 600 PRO and RIVER 600 PRO Extra Battery and ensure that the voltage of both devices are consistent to maximize the performance of RIVER 600 PRO Extra Battery.



TECHNICAL SPECIFICATIONS

General Specs

Net Weight	15.4 lbs (7kg)
Dimensions	11.3 x 7.1 x 8.3 in (28.8 x 18 x 21 cm)
Capacity	720Wh (28.8V)
Testing and certification	UL CE FCC RoHS

Outputs

Expansion Power Port	24.4V-33.6V, 720W Max
----------------------	-----------------------

Input

Expansion Power Port	33.6V, 660W Max
----------------------	-----------------

Battery

Cell Chemistry	Lithium-ion
Cell Type	18650
Discharge Temperature	-4-140°F +/-5°F(-20-60°C +/--3°C)
Charge Temperature	32-113°F +/-5°F(0-45°C +/--3°C)
Shelf Life	1 Year (after fully charged)
Life Span	800 Cycles (80%+)

FAQs

How do I care for RIVER 600 PRO Extra Battery?

The RIVER 600 PRO Extra Battery is versatile, so it is likely that simple cleaning will be required from time to time. Use dry, non-abrasive cloth to wipe. If you want to wipe more cleanly, we recommend that you use a special detergent for mobile phone and computer screen. DO NOT expose the product to large amounts of water!

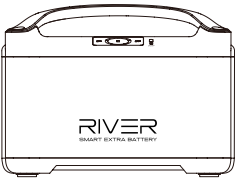
How do I store RIVER 600 PRO Extra Battery?

Please store RIVER 600 PRO Extra Battery in a dry place and avoid direct contact with water. In order to extend battery life, if long-term storage is required, please charge it to 30% -50%, then turn off the main switch and store at room temperature.

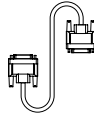
How do I use RIVER 600 PRO Extra Battery safely?

Please use RIVER 600 PRO Extra Battery under temperature conditions within its operating temperature range. Using RIVER 600 PRO Extra Battery outside the optimal operating temperature range may cause RIVER 600 PRO Extra Battery to exceed its safe and effective working limits. DO NOT immerse RIVER 600 PRO Extra Battery in water. RIVER 600 PRO Extra Battery is not waterproof. Doing so will void the warranty.

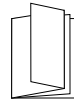
WHAT'S IN THE BOX



**RIVER 600 PRO
Extra Battery**



**Expansion Power
Cable**



**User Manual and
Warranty Card**